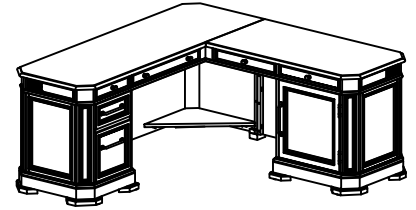


**Warning :**

- Be sure to check all packing material carefully for small parts, which may have come loose inside the carton during shipment.
- To prevent possible scratches and damage, this furniture must be assembled on a soft surface such as a blanket or carpet.



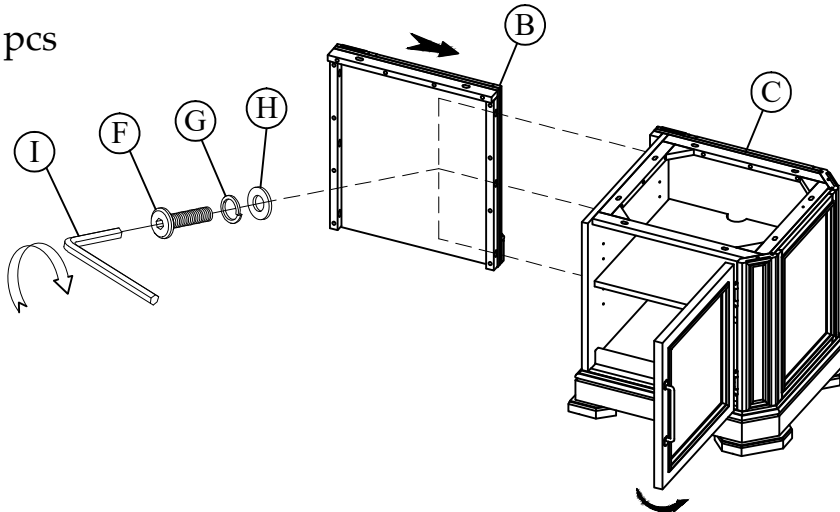
**Important Use Information:** We recommend using coasters, placemats and trivets when placing hot or cold containers on this item. It is also recommended to quickly cleanup any spills to minimize exposure to moisture. Doing so will prolong the life and look of the item for many years.

32732  
L-Desk And Return

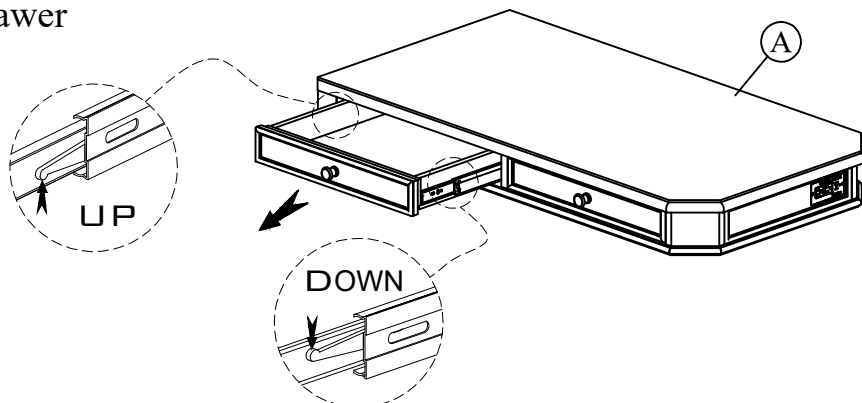
**Components and Hardware List**

<p>Top Panel</p> <p>1 pc.</p>	<p>Back Panel</p> <p>1 pc.</p>	<p>Pedestal</p> <p>1 pc.</p>	<p>Desk</p> <p>1 pc.</p>	<p>Allen Head Bolt 5/16" x 18 x 3-1/2"</p> <p>4 pcs.</p>	<p>Allen Head Bolt 5/16" x 18 x 1-5/8"</p> <p>16 pcs.</p>	<p>Spring Washer Ø5/16" x Ø14</p> <p>20 pcs.</p>
<p>Flat Washer Ø5/16" x Ø16</p> <p>20 pcs.</p>	<p>Allen Key 4mm</p> <p>1 pc.</p>	<p>Wood dowel Ø5/16" x 1-3/16"</p> <p>1 pc.</p>	<p>Tool Required (Not provided) Phillips Screwdriver</p>			

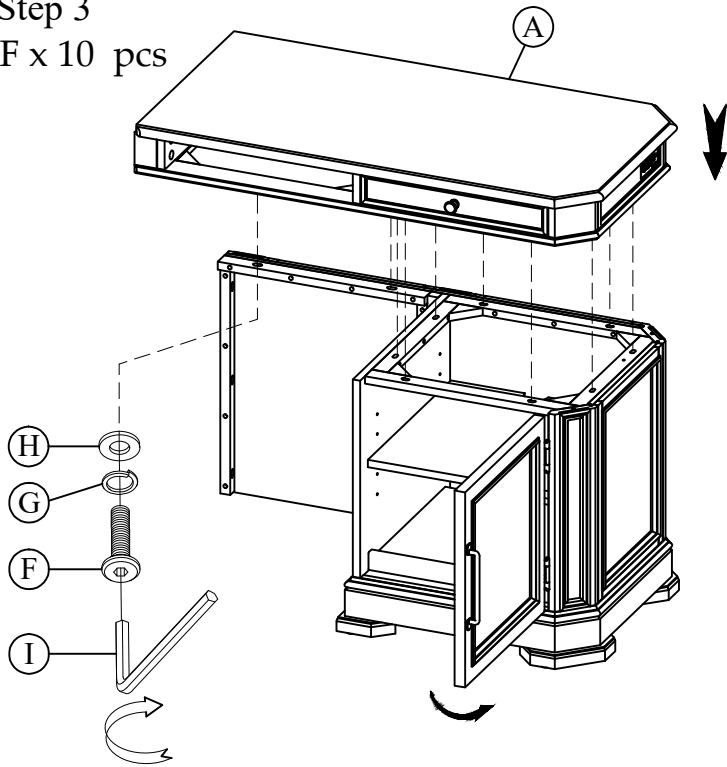
**Step 1 F x 3 pcs**



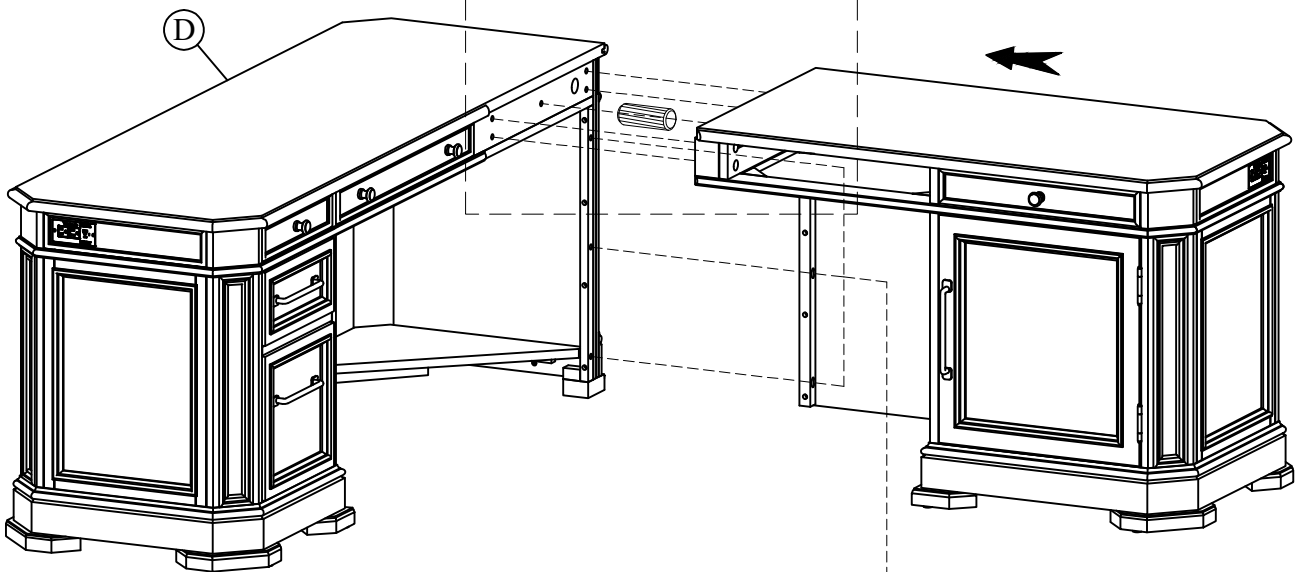
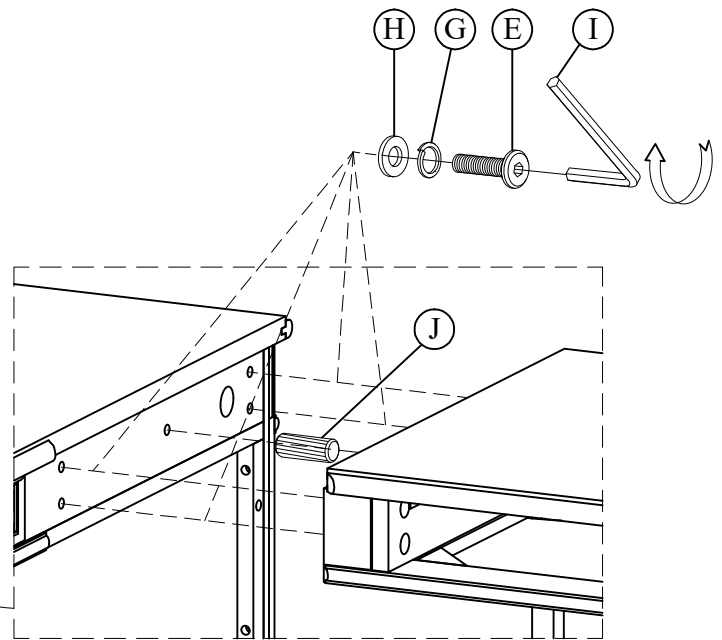
**Step 2: Remove drawer**



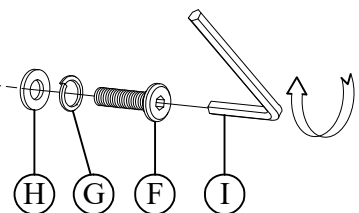
Step 3  
F x 10 pcs



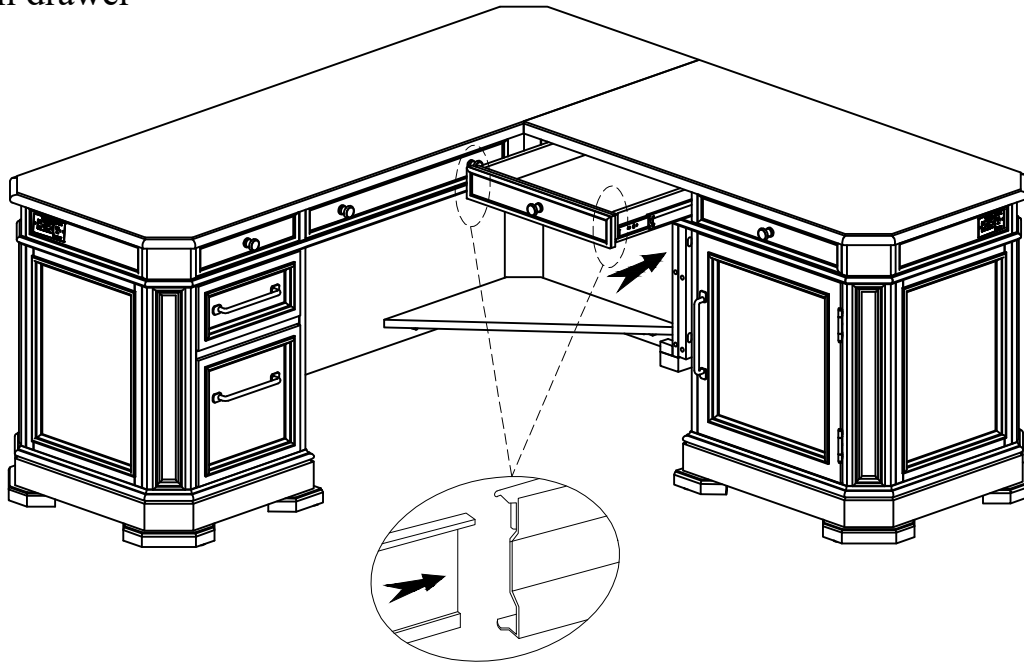
Step 4  
E x 4 pcs



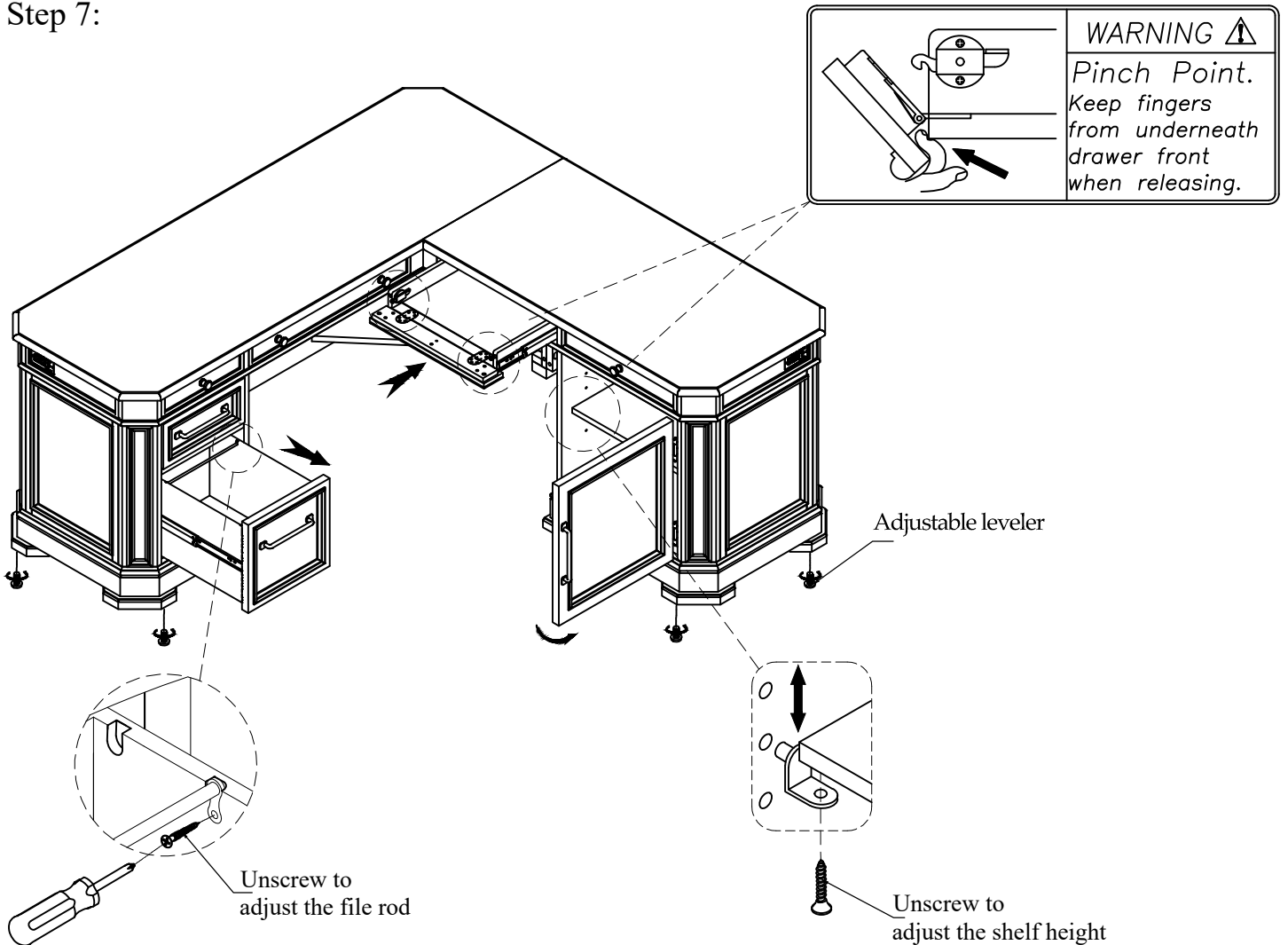
Step 5  
F x 3 pcs



Step 6: Install drawer



Step 7:



The file drawers may be set up to use either letter or legal size hanging file folders using the file rods installed in the file drawers.